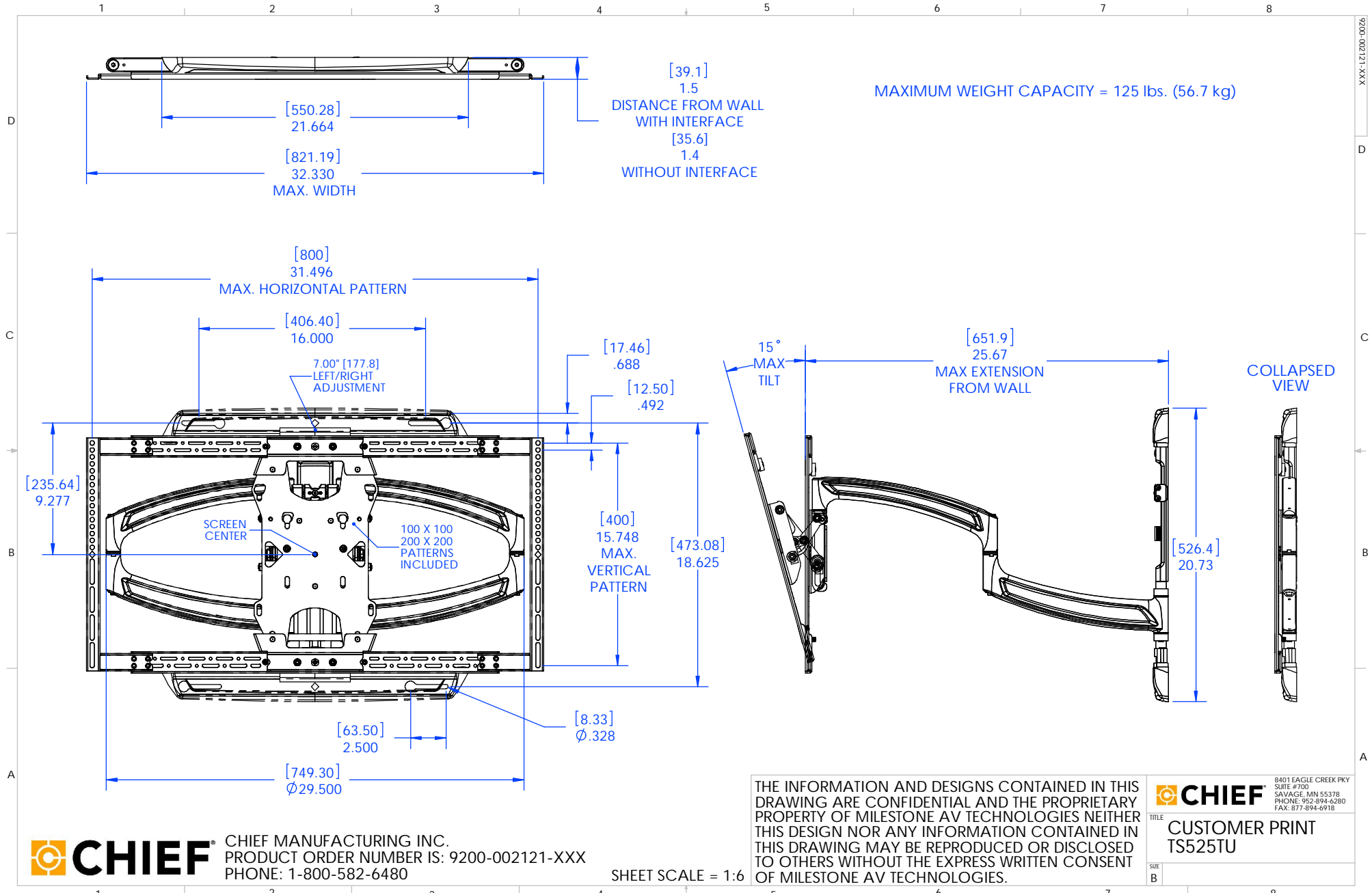


9200-002121-XXX



CHIEF MANUFACTURING INC.
 PRODUCT ORDER NUMBER IS: 9200-002121-XXX
 PHONE: 1-800-582-6480

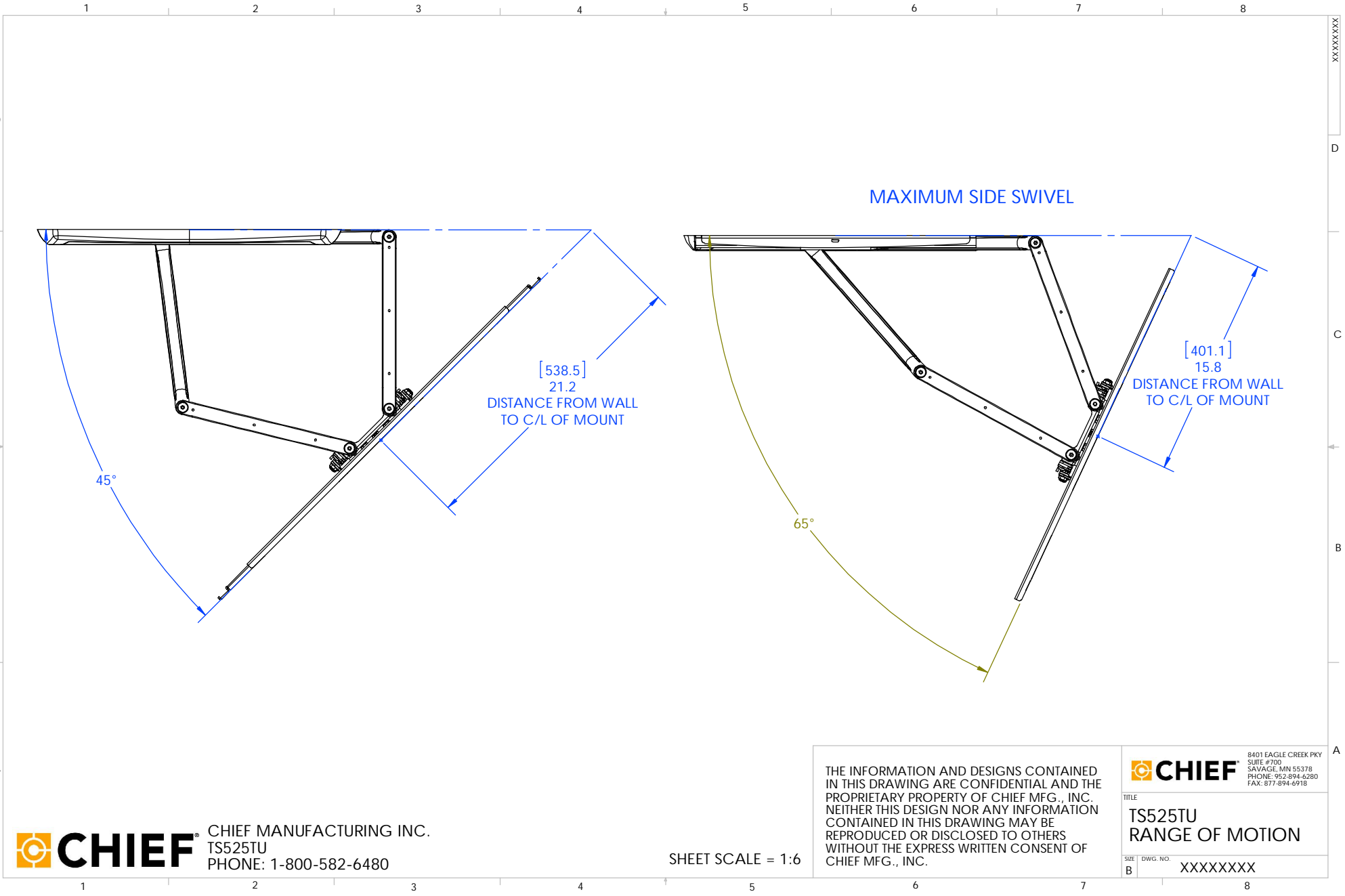
SHEET SCALE = 1:6

THE INFORMATION AND DESIGNS CONTAINED IN THIS DRAWING ARE CONFIDENTIAL AND THE PROPRIETARY PROPERTY OF MILESTONE AV TECHNOLOGIES NEITHER THIS DESIGN NOR ANY INFORMATION CONTAINED IN THIS DRAWING MAY BE REPRODUCED OR DISCLOSED TO OTHERS WITHOUT THE EXPRESS WRITTEN CONSENT OF MILESTONE AV TECHNOLOGIES.

CHIEF
 8401 EAGLE CREEK PKY
 SUITE #700
 SAVAGE, MN 55378
 PHONE: 952-894-6280
 FAX: 877-894-6918

TITLE: CUSTOMER PRINT
 TS525TU

SIZE: B



CHIEF MANUFACTURING INC.
 TS525TU
 PHONE: 1-800-582-6480

SHEET SCALE = 1:6

THE INFORMATION AND DESIGNS CONTAINED IN THIS DRAWING ARE CONFIDENTIAL AND THE PROPRIETARY PROPERTY OF CHIEF MFG., INC. NEITHER THIS DESIGN NOR ANY INFORMATION CONTAINED IN THIS DRAWING MAY BE REPRODUCED OR DISCLOSED TO OTHERS WITHOUT THE EXPRESS WRITTEN CONSENT OF CHIEF MFG., INC.

		8401 EAGLE CREEK PKY SUITE #700 SAVAGE, MN 55378 PHONE: 952-894-6280 FAX: 877-894-6918
TITLE TS525TU RANGE OF MOTION		
SIZE B	DWG. NO. XXXXXXXX	